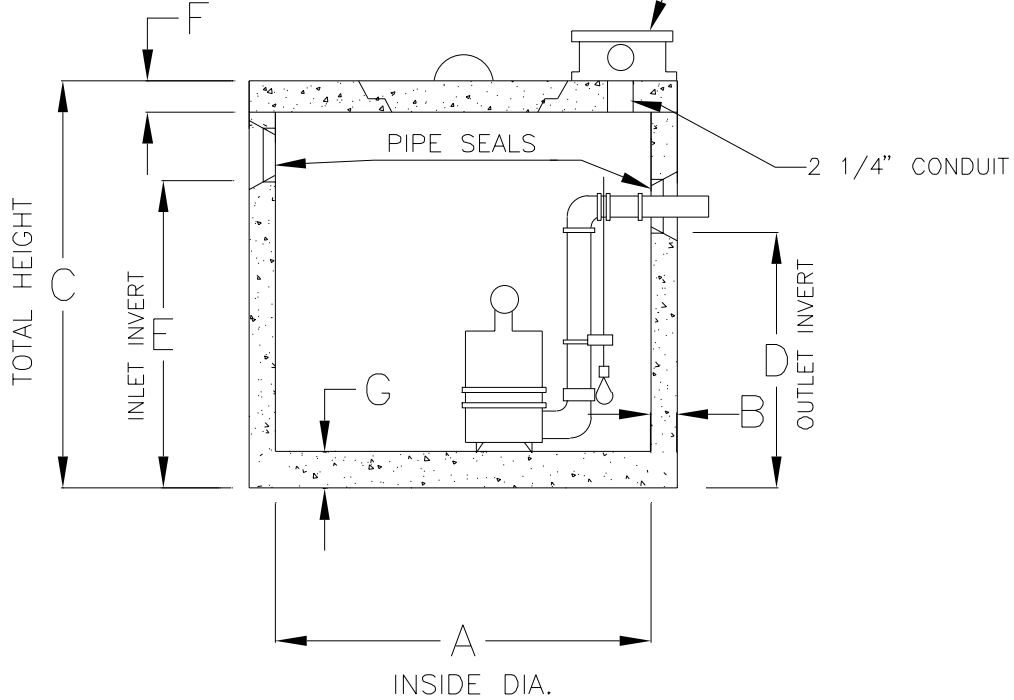


WEIGHTS

100 GALLON BOX	1344 LBS.
375 GALLON BOX	4735 LBS.
100 GALLON COVER	361 LBS.
375 GALLON COVER	1345 LBS.
12" RISER	408 LBS.
24" RISER	816 LBS.



CAPACITY	A	B	C	D	E	F	G
100 GALLON	36"	2 1/2"	42 1/2"	27"	32"	3"	3 1/2"
375 GALLON	48"	5"	62"	29"	47"	8"	6"

NOTES:

1. CONCRETE: 4000 PSI AFTER 28 DAYS
2. LIFTING HOOKS ARE CAST IN.
3. 12" AND 24" RISERS ARE AVAILABLE

RICHARD GENEST, INC.
PUMP TANK WITH
PUMP ASSEMBLY