
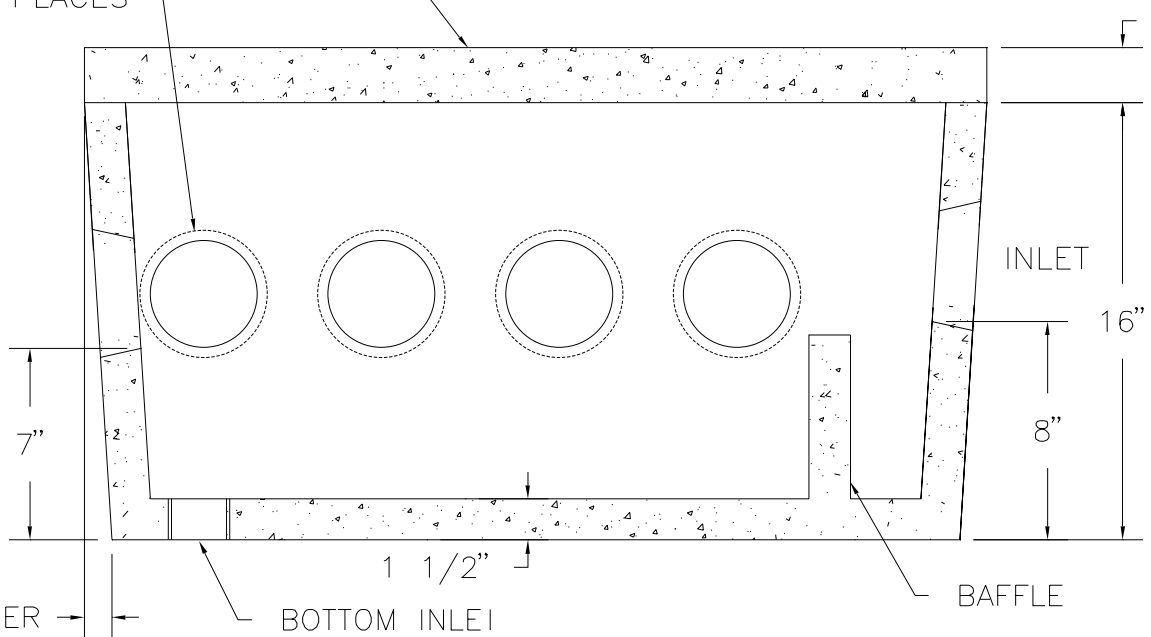


4" DIA KNOCKOUTS
7 PLACES

COVER

1 1/2"  ALL 4 SIDES

2"



1" TAPER

BOTTOM INLET

BAFFLE

SECTION

- NOTES:
1. PIPE SEALS CAST IN
 2. 2" SCHEDULE 40 COUPLING IN BASE
 3. FOR USE WITH FORVED MAIN INLET

RICHARD GENEST, INC.

**9 OUTLET DISTRIBUTION
BOX WITH BOTTOM INLET**