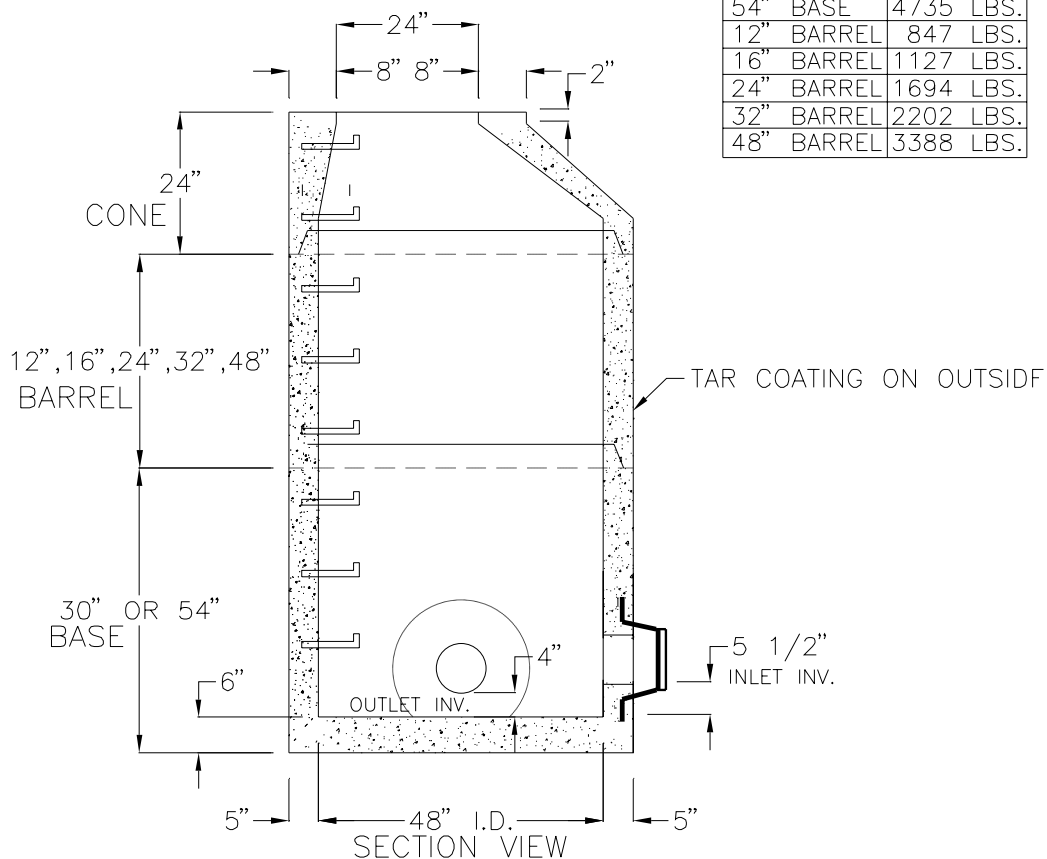


TOP VIEW

WEIGHTS

30" BASE	3039 LBS.
54" BASE	4735 LBS.
12" BARREL	847 LBS.
16" BARREL	1127 LBS.
24" BARREL	1694 LBS.
32" BARREL	2202 LBS.
48" BARREL	3388 LBS.



NOTES:

1. CONCRETE: 4000 PSI AFTER 28 DAYS
2. REINFORCING: H-20 LOADING
4 X 4/4 X 4 W.W.M.
3. SHIPLAP JOINTS SEALED WITH 1 STRIP
OF 1" DIA BUTYL RUBBER SEALANT.
4. EXTERIOR ASPHALT COATED
5. FLEXIBLE PIPE SLEEVES CAST
IN PLACE, OR FIELD INSTALLED
6. EACH CASTING TO HAVE
LIFTING HOLES CAST IN
7. MANHOLE STEPS @12" O.C.
8. FLAT TOP AVAILABLE FOR
SHALLOW DEPTHS

RICHARD GENEST, INC.

**SANITARY
MANHOLE**