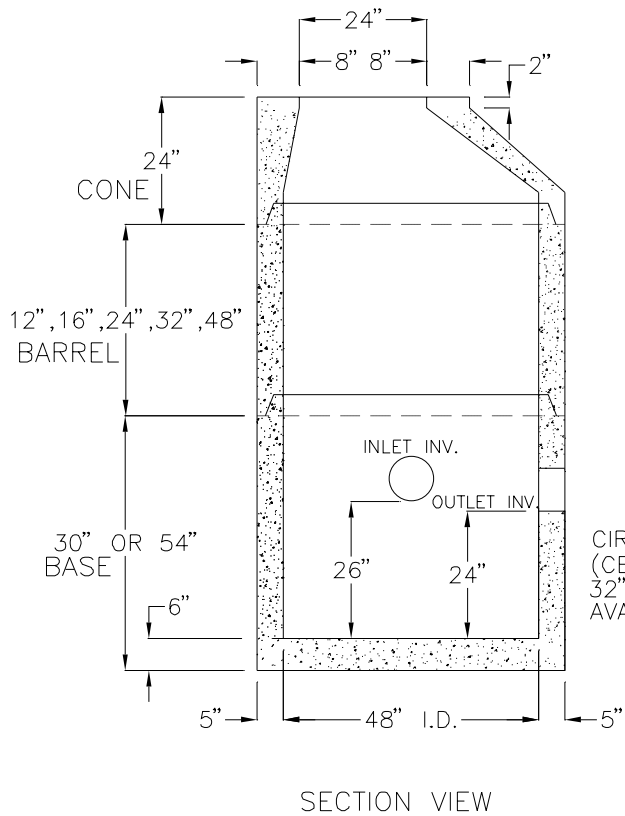


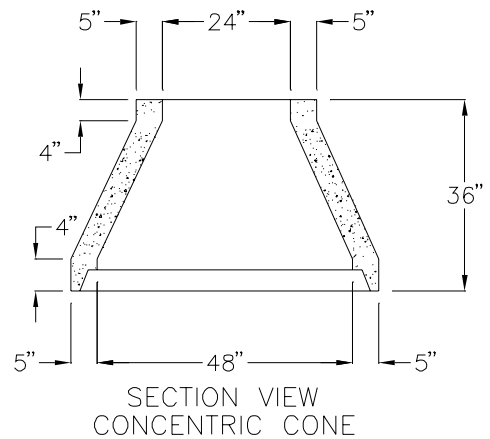
TOP VIEW

WEIGHTS

30" BASE	3039 LBS.
54" BASE	4735 LBS.
12" BARREL	847 LBS.
16" BARREL	1127 LBS.
24" BARREL	1694 LBS.
32" BARREL	2202 LBS.
48" BARREL	3388 LBS.

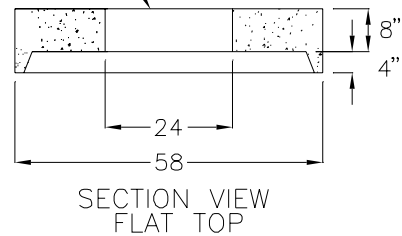


SECTION VIEW



SECTION VIEW  
CONCENTRIC CONE

CIRCLE OR SQUARE OPENING  
(CENTER OR OFFSET)  
32" OPENING ALSO  
AVAILABLE



SECTION VIEW  
FLAT TOP

NOTES:

1. CONCRETE: 4000 PSI AFTER 28 DAYS
2. REINFORCING: H-20 LOADING  
4 X 4/4 X 4 W.W.M. REBAR IN  
SLAB TOPS
3. SHIPLAP JOINTS SEALED WITH 1 STRIP  
OF 1" DIA BUTYL RUBBER SEALANT.
4. EACH CASTING TO HAVE LIFTING  
HOLES CAST IN.

**RICHARD GENEST, INC.**

**CATCH BASIN**