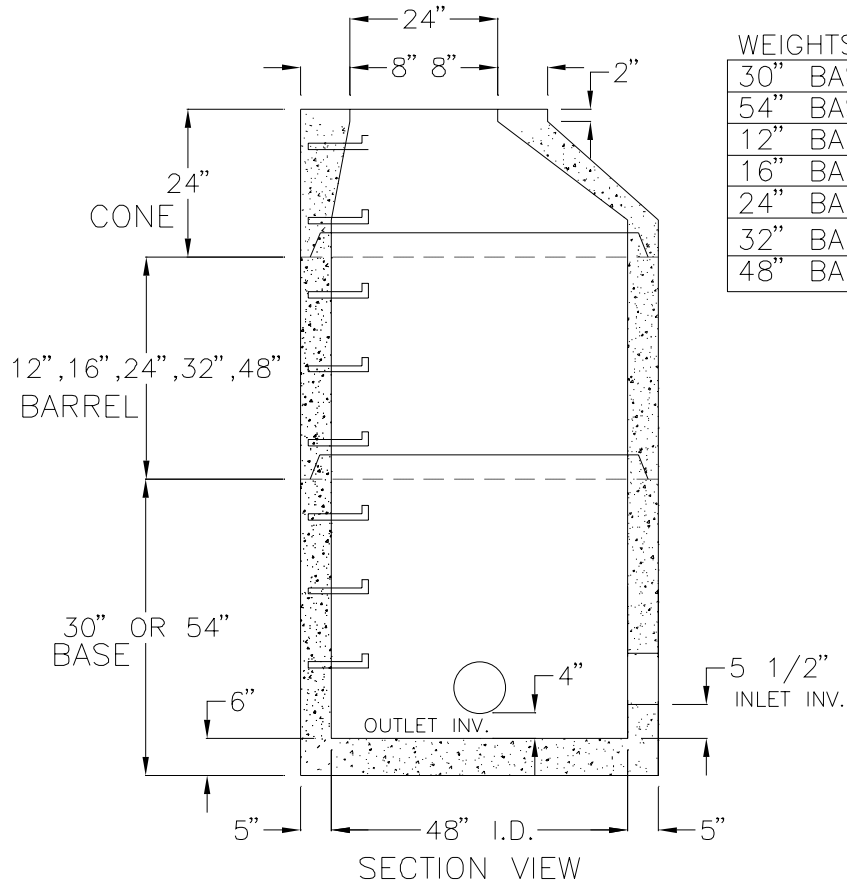


TOP VIEW



WEIGHTS

30" BASE	3039 LBS.
54" BASE	4735 LBS.
12" BARREL	847 LBS.
16" BARREL	1127 LBS.
24" BARREL	1694 LBS.
32" BARREL	2202 LBS.
48" BARREL	3388 LBS.

NOTES:

1. CONCRETE: 4000 PSI AFTER 28 DAYS
2. REINFORCING: H-20 LOADING
4 X 4/4 X 4 W.W.M.
3. SHIPLAP JOINTS SEALED WITH 1 STRIP
OF 1" DIA BUTYL RUBBER SEALANT.
4. EACH CASTING TO HAVE LIFTING
HOLES CAST IN.
5. MANHOLE STEPS @12" O.C. AS REQUIRED
6. PIPE OPENINGS CAST IN AS REQUIRED
7. FLAT TOP AVAILABLE

RICHARD GENEST, INC.

DRAIN MANHOLE