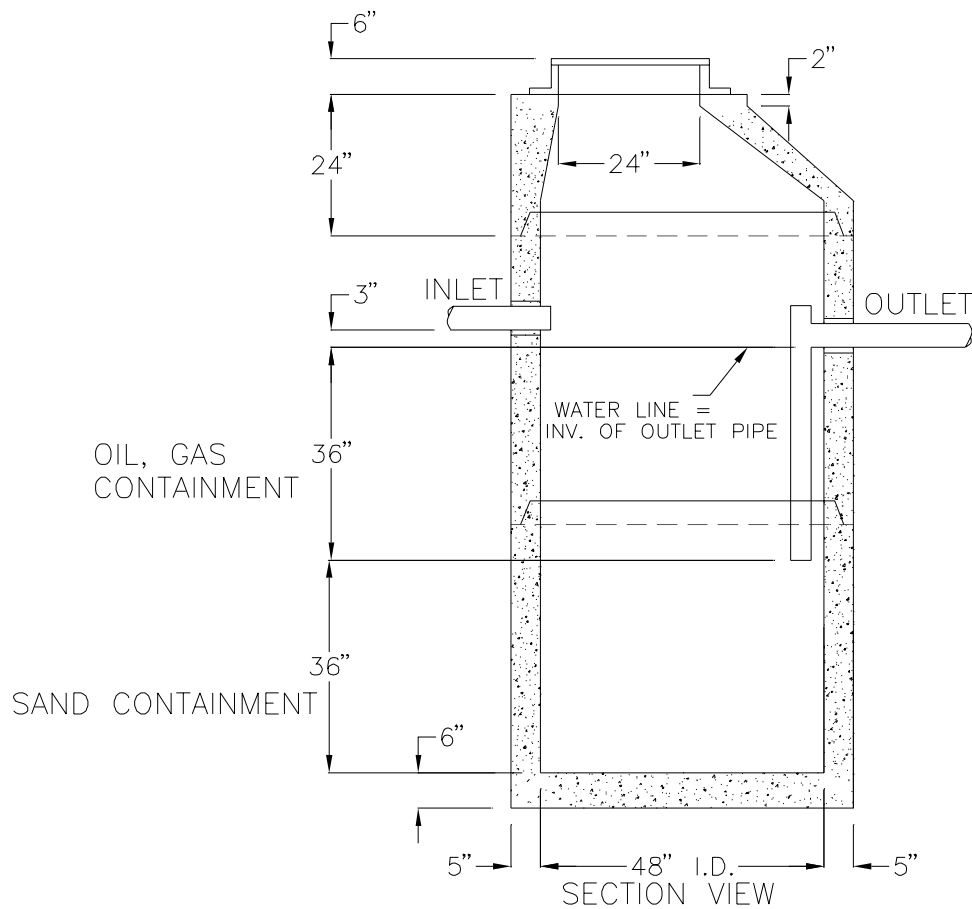


TOP VIEW



NOTES:

1. CONCRETE: 4000 PSI AFTER 28 DAYS
2. REINFORCING: H-20 LOADING
4 X 4/4 X 4 W.W.M.
3. SHIPLAP JOINTS SEALED WITH I STRIP
OF 1" DIA BUTYL RUBBER SEALANT.
4. EACH CASTING TO HAVE LIFTING
HOLES CAST IN.
5. 24" DIA HEAVY DUTY FRAME
& GRATE OR SOLID COVER

RICHARD GENEST, INC.

OIL, GAS,
SAND TRAP