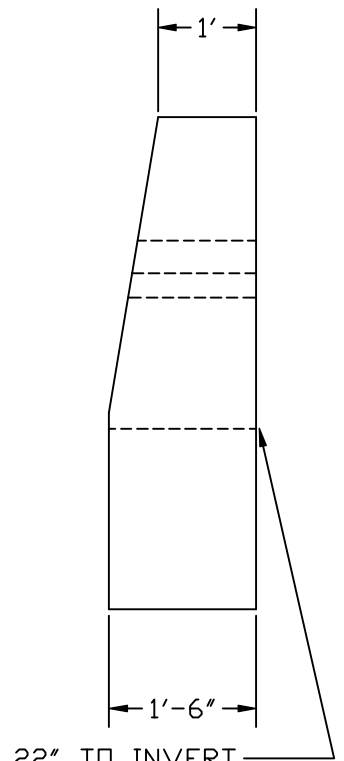


FRONT VIEW



22" TO INVERT
END VIEW

- NOTES:
1. ALL CONCRETE HAS A MINIMUM COMPRESSION STRENGTH @ 28 DAYS
 2. HOLE SIZES AVAILABLE: 16", 19", 23"
 3. WEIGHT: 8200 LBS.

RICHARD GENEST, INC.

HEAD WALL