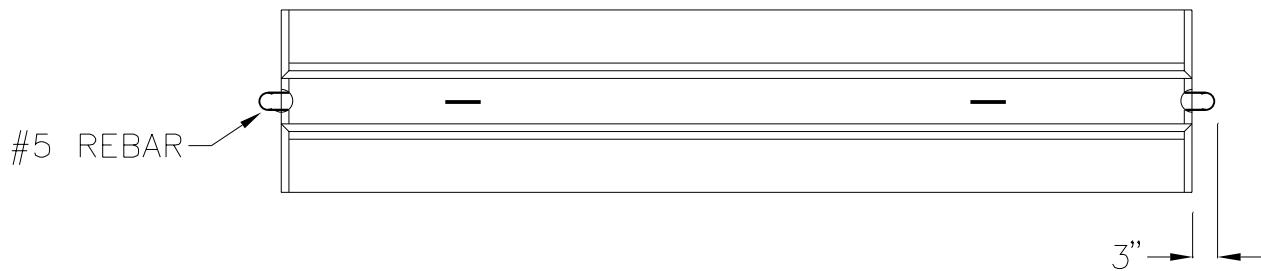
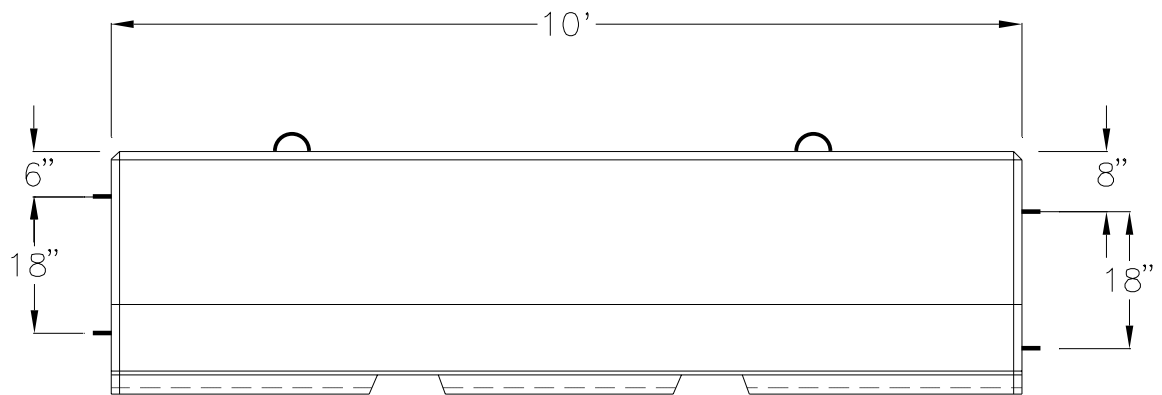


5 FOOT BARRIER



#5 REBAR



10 FOOT BARRIER

NOTES:

1. CONCRETE: 4000 PSI AFTER 28 DAYS
2. INTERNAL REINFORCING CAGE #5 REBAR
3. JOINT PINS 1" REBAR
4. 5' = 1900 LBS.
5. 10' = 3780 LBS.

RICHARD GENEST, INC.

**DOUBLE FACE
MEDIAN BARRIER**