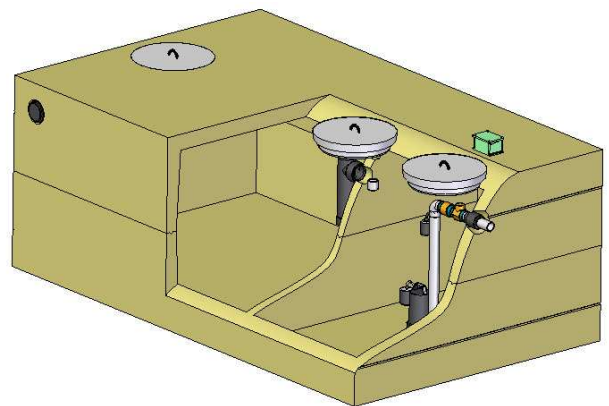


**TANK CAPACITY GALS.**  
**750/250**



**NOTES:**

1. WEIGHT= 11750 LBS.
2. CONCRETE: 5000 PSI AFTER 28 DAYS
3. REINFORCING: 6X6 10/10 W.W.M. & REBAR
4. KEYED JOINT SEALED WITH BUTYL RUBBER
5. OUTLET FILTER INCLUDED WITH ALL TANKS
6. INLET PLASTIC BAFFLE AVAILABLE FOR NEW HAMPSHIRE



**1000 GALLON 2 COMPARTMENT SEPTIC - PUMP TANK**

**238 Country Club Road (Route 4) Sanford, ME 04073**

**(207) 324-7215 (800) 477-8177**

**Date: 4/9/2012**