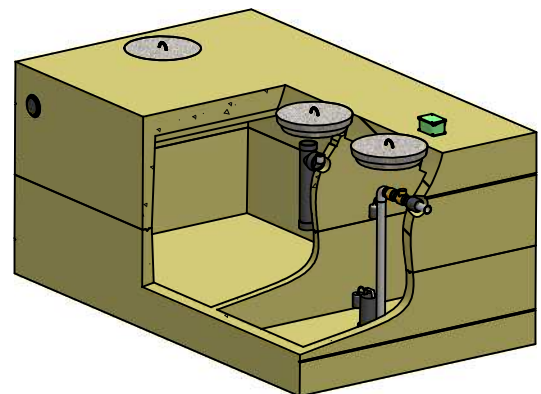


**TANK CAPACITY GALS.**  
**1000/250**

**NOTES:**

1. WEIGHT = 14400 LBS.
2. CONCRETE: 5000 PSI AFTER 28 DAYS
3. REINFORCING: 6X6 10/10 W.W.M. & REBAR
4. KEYED JOINT SEALED WITH BUTYL RUBBER
5. OUTLET FILTER INCLUDED WITH ALL TANKS
6. INLET PLASTIC BAFFLE AVAILABLE FOR NEW HAMPSHIRE
7. HD SEPTIC TANK TOPS ARE 6" THICK REINFORCED WITH 5/8" REBAR



**1250 GALLON 2 COMPARTMENT HD SEPTIC - PUMP TANK**

**238 Country Club Road (Route 4) Sanford, ME 04073**

**(207) 324-7215 (800) 477-8177**

**Date: 4/9/2012**