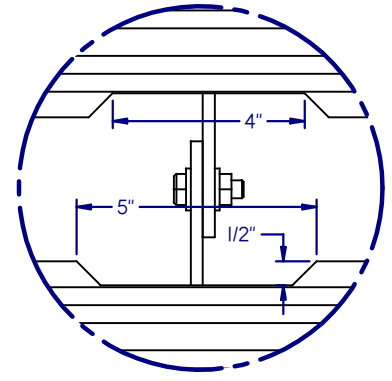
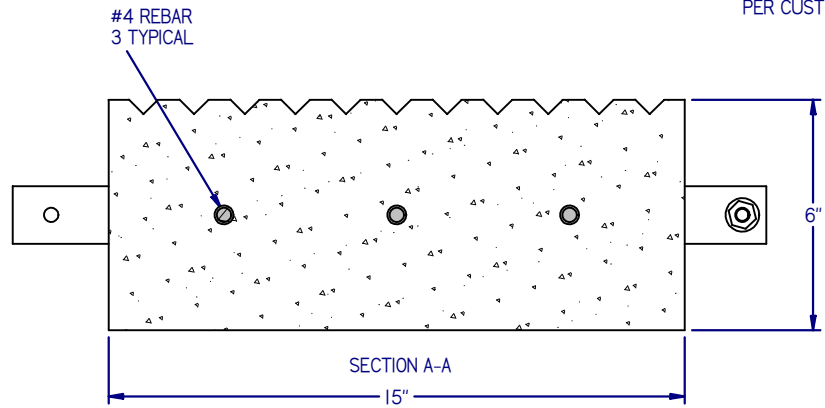
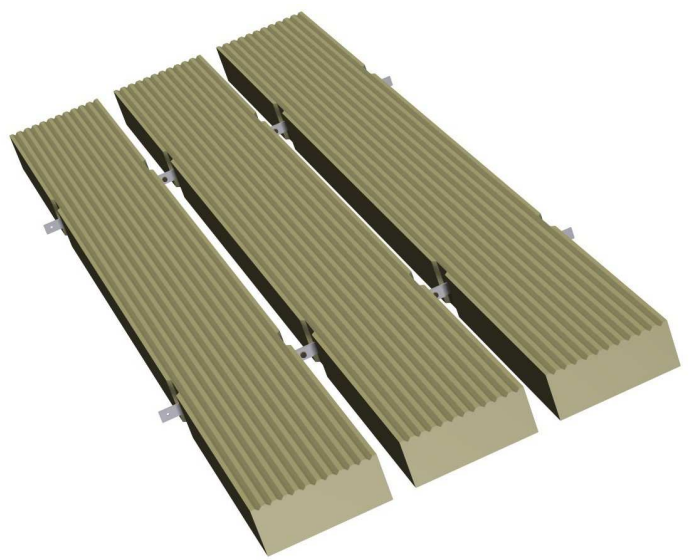
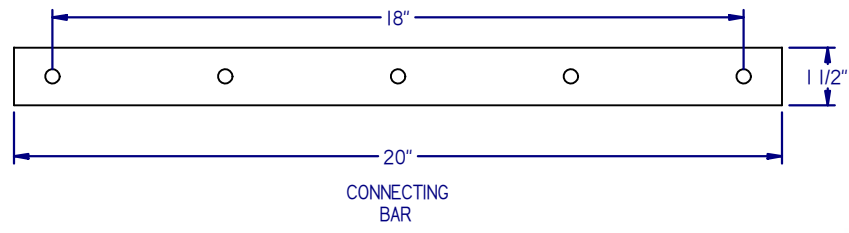


WIDTH VARIES  
PER CUSTOMER REQUEST



DETAIL B  
BOLT DETAIL



- NOTES:
1. WEIGHT= 1040 LBS. per 15" X 144" SECTION
  2. CONCRETE: 5000 PSI AFTER 28 DAYS
  3. REINFORCED WITH 3 - #4 REBARS
  4. AVAILABLE FOR SALT WATER



**CONCRETE BOAT RAMP**  
**238 Country Club Road (Route 4) Sanford, ME 04073**  
**(207) 324-7215 (800) 477-8177**  
 Date: 9/17/2009