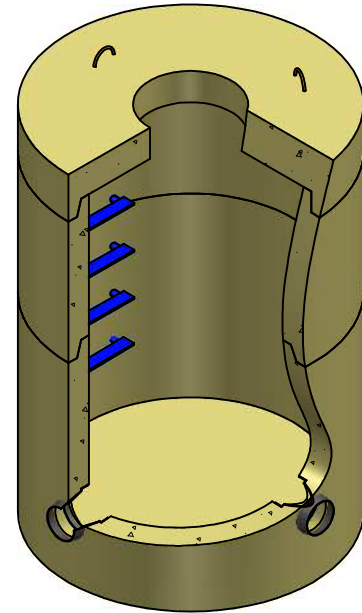
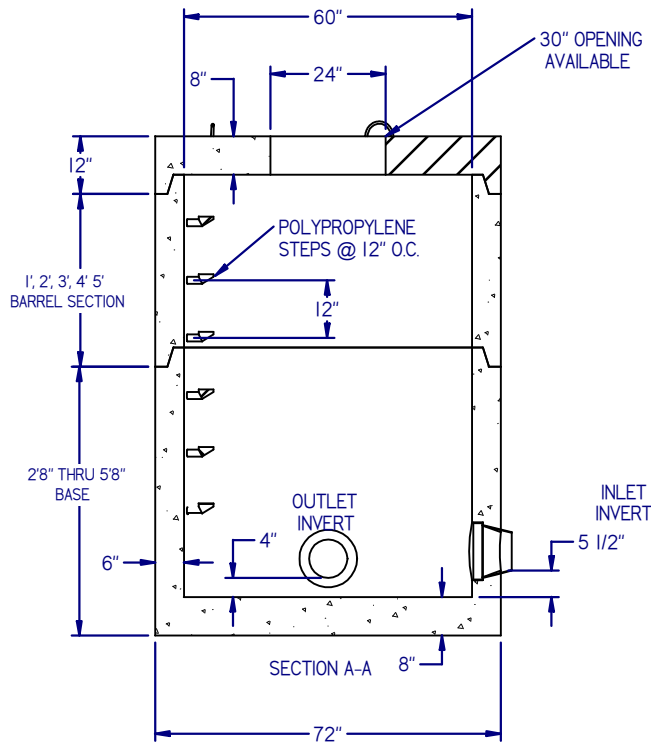


OFFSET OPENING
AVAILABLE IN 24" & 30"



COMPONENT	WEIGHT (LBS.)
FLAT TOP	2900
1' BARREL	1270
2' BARREL	2540
3' BARREL	3810
4' BARREL	5080
5' BARREL	6350
2'8" BASE	4990
3'8" BASE	6260
4'8" BASE	7530
5'8" BASE	8800

NOTES:

1. WEIGHT = SEE SCHEDULE AT RIGHT
2. CONCRETE: 5000 PSI AFTER 28 DAYS
2. CEMENT: TYPE III PER ASTM C150-81
3. REINFORCING: MEETS H-20 LOADING REQUIREMENTS
4. CONFORMS TO ASTM C-478 & MDOT SPECIFICATIONS
5. SHIPLAP JOINTS SEALED WITH BUTYL SEALANT



DRAIN MANHOLE 5 FT DIAMETER

238 Country Club Road (Route 4) Sanford, ME 04073

(207) 324-7215 (800) 477-8177

Date: 4/30/2012