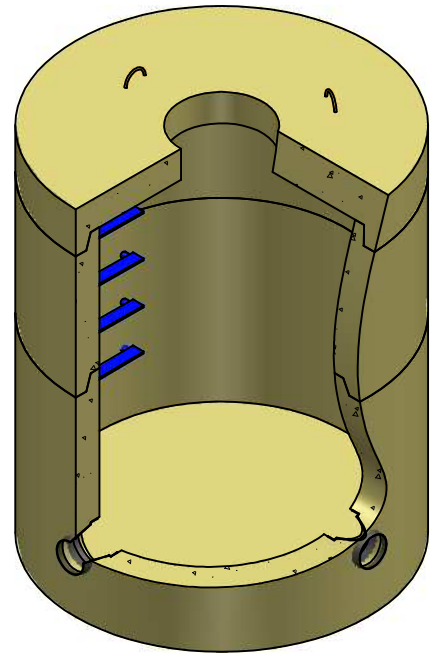
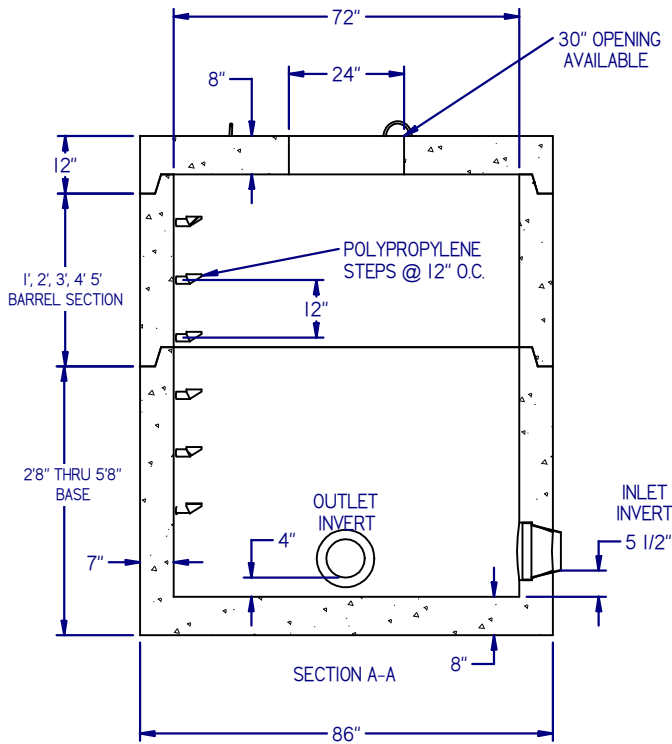


OFFSET OPENING
AVAILABLE IN 30"



COMPONENT	WEIGHT (LBS.)
FLAT TOP	4200
1' BARREL	1735
2' BARREL	3470
3' BARREL	5205
4' BARREL	6940
5' BARREL	8675
2'8" BASE	7375
3'8" BASE	9110
4'8" BASE	10845
5'8" BASE	12580

NOTES:

1. WEIGHT = SEE SCHEDULE AT RIGHT
2. CONCRETE: 5000 PSI AFTER 28 DAYS
2. CEMENT: TYPE III PER ASTM C150-81
3. REINFORCING: MEETS H-20 LOADING REQUIREMENTS
4. CONFORMS TO ASTM C-478 & MDOT SPECIFICATIONS
5. SHIPLAP JOINTS SEALED WITH BUTYL SEALANT



DRAIN MANHOLE 6 FT DIAMETER

238 Country Club Road (Route 4) Sanford, ME 04073

(207) 324-7215 (800) 477-8177

Date: 4/30/2012