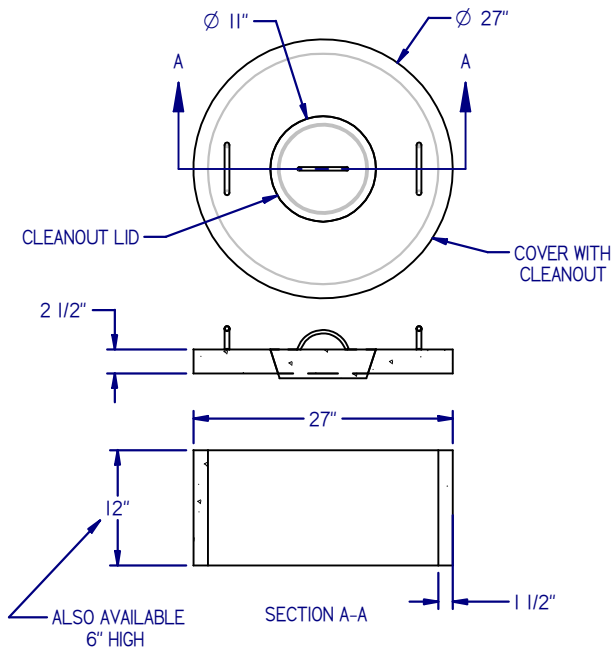
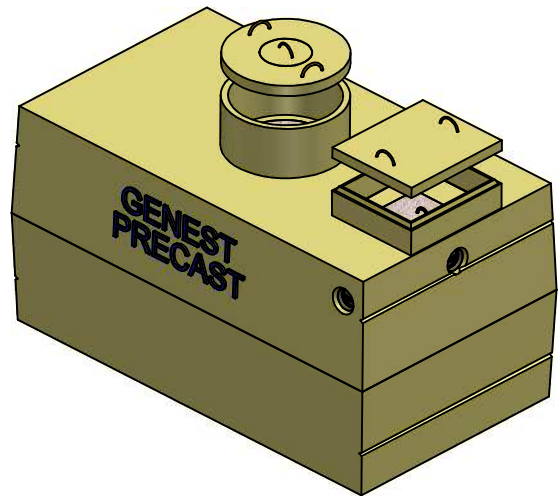
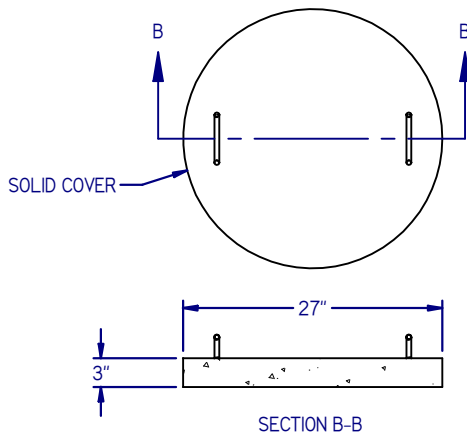
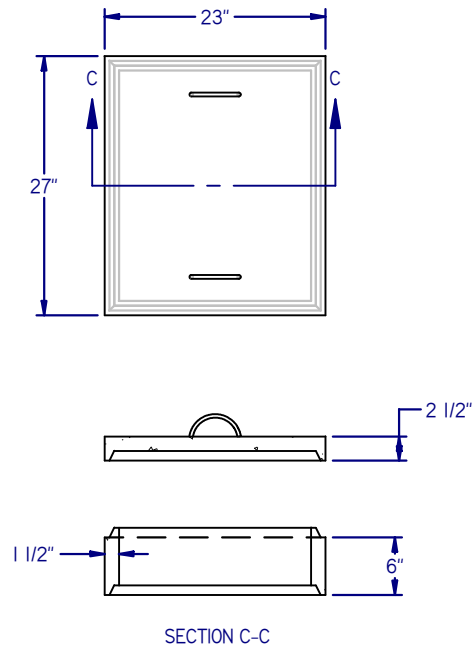


ROUND RISER



RECTANGULAR RISER



RISER	WEIGHT (LBS.)
12 INCH X 27 INCH ROUND RISER	120
6 INCH X 27 INCH ROUND RISER	60
ROUND COVER WITH CLEANOUT	125
ROUND COVER ONLY	125
6 INCH RECTANGULAR RISER	80
RECTANGULAR COVER	110

NOTES:

1. WEIGHT =SEE SCHEDULE ABOVE
2. CONCRETE: 5000 PSI AFTER 28 DAYS
3. REINFORCING: 6X6 10/10 W.W.M. & FIBERS
4. ALSO AVAILABLE WITH HEAVY DUTY COVERS

TO RAISE CLEANOUT
OPENINGS TO GRADE



SEPTIC TANK RISERS

238 Country Club Road (Route 4) Sanford, ME 04073

(207) 324-7215 (800) 477-8177

Date: 8/19/2009