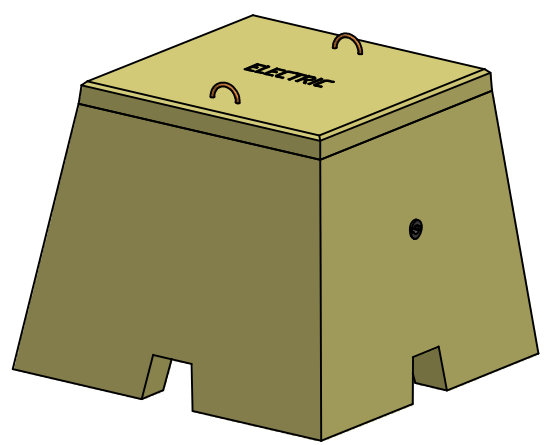
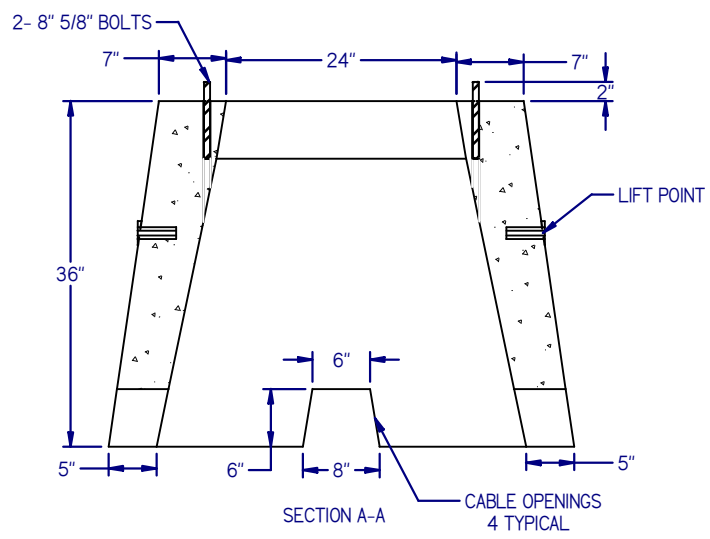
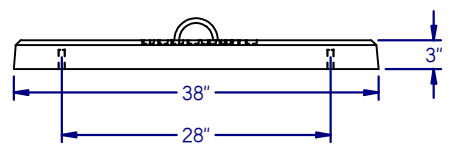
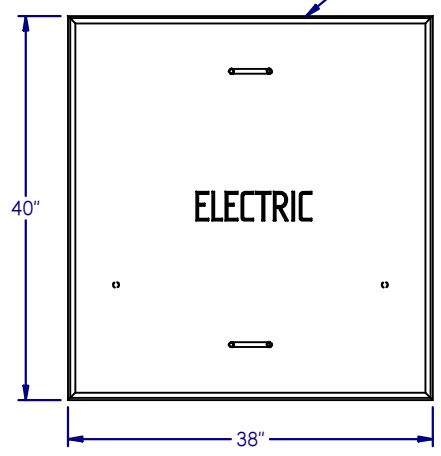


BOTTOM DIMENSION

COVER TO USE AS PULLBOX
WEIGHT = 357 LBS



BASE:	2495 LBS.
COVER:	357 LBS.

- NOTES:
1. WEIGHT: SEE SCHEDULE ABOVE
 2. CONCRETE: 5000 PSI AFTER 28 DAYS
 3. REINFORCING: 6X6 10/10 W.W.M. & FIBERS
 4. CABLE OPENINGS CAST IN EACH WALL PER CMP COMPANY REQUIREMENTS



SINGLE PHASE TRANSFORMER PAD
238 Country Club Road (Route 4) Sanford, ME 04073
(207) 324-7215 (800) 477-8177
 Date: 9/12/2009