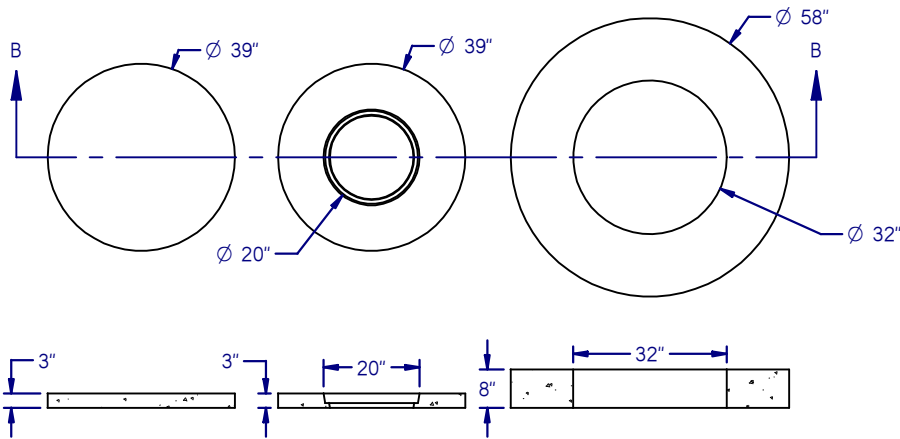
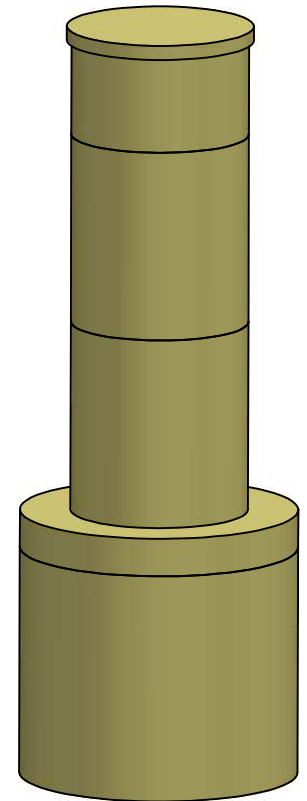


SECTION A-A



SECTION B-B



COMPONENT SPECIFICATIONS

10" X 37" TILE	220 LBS.	35 GALLONS
20" X 37" TILE	440 LBS.	70 GALLONS
40" X 37" TILE	880 LBS.	140 GALLONS
58" X 48" CASING	1700 LBS.	475 GALLONS
39" TILE COVER	285 LBS.	NO HOLE
39" TILE COVER	238 LBS.	20" HOLE
58" CASING COVER	1250 LBS.	32" HOLE

NOTES:

1. WEIGHT: SEE SCHEDULE AT RIGHT
2. CONCRETE: 5000 PSI AFTER 28 DAYS
3. REINFORCED WITH WWM 6X6 10/10 AND FIBERS
4. OPTIONAL NON TOXIC SEALANT AVAILABLE
5. LIFTING HOOKS ARE CAST IN
6. USE SPREADER BAR TO HANDLE TILE
7. 9" X 13" SQUARE PATTERN GRATE ALSO AVAILABLE (COVER WEIGHT = 199 LBS.)



WELL TILE AND CASING

238 Country Club Road (Route 4) Sanford, ME 04073

(207) 324-7215 (800) 477-8177

Date: 9/11/2009